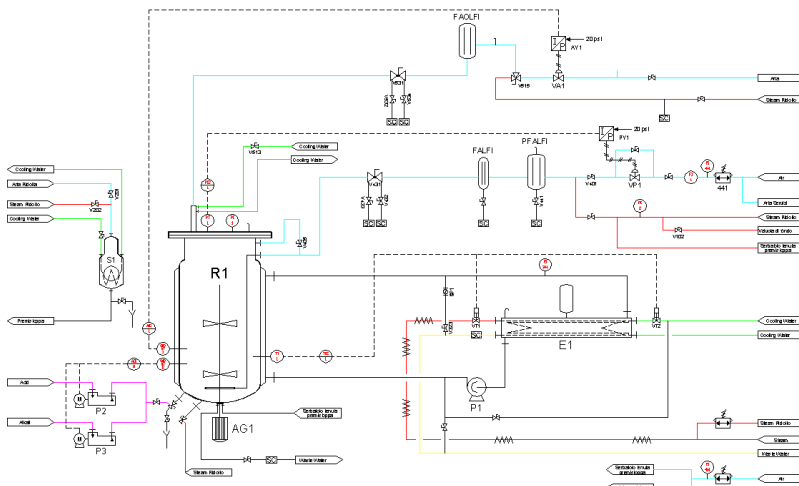


ENGINEERING

The experience and technical know-how reached by our staff, composed of 45 units, and the professionalism of the external collaborator of whom we make use, allow us to present ourselves as an engineering company able to plan and realize chemical-pharmaceutical and biotechnological plants.



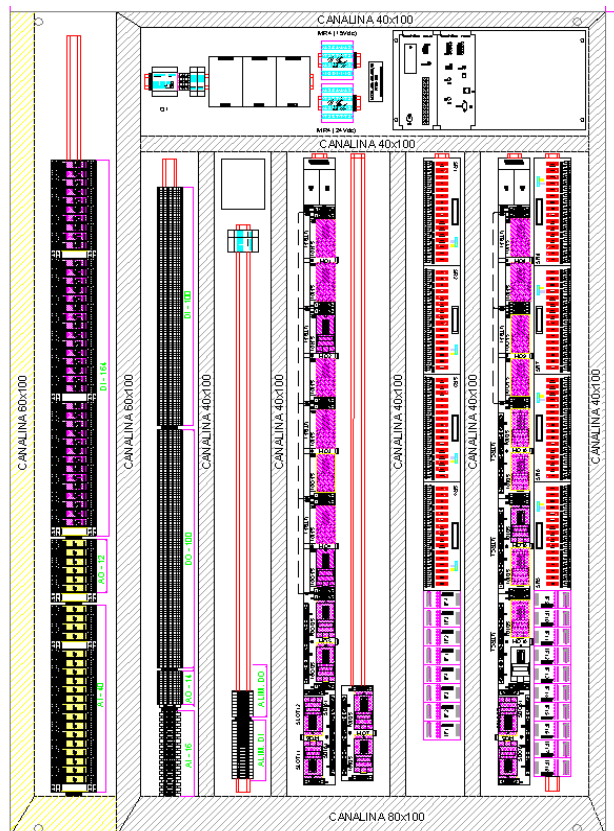
P&ID of a laboratory pilot fermenter

Basic and Mechanical Engineering

- P&ID
- Line design
- Equipment and instruments list
- Electrical utilities list
- Instrument loops
- Data sheets referring both to the equipment and to the instruments

Electrical Engineering

- Electrical design
- Cable sizing
- MCC configuration
- Layout design of electrical panels both for power and for instruments



Layout design of an electric panel for instruments

T.I. Engineering has been operating in the chemical and pharmaceutical field since 1989.

Thanks to the experience acquired and to the technical know how achieved by our staff, and also, with the help of the team of external specialists from whom we frequently obtain support, T.I. Engineering can offer a 360-degrees service in the field of process engineering.

Since T.I. Engineering started from the implementation in field almost twenty years ago, we have understood what problems may occur during the implementation of projects and we try to solve them during the planning itself.

For this reason our projects always take into account the installations to be assembled subsequently.

T.I. Engineering can supply the equipment and the instrumentation as well as offer an engineering support which covers the whole production process, from the feasibility study, to the plant design and the final realisation.

WHAT WE CAN OFFER

T.I. Engineering can offer:

- Feasibility studies for new plants or modifications to existing plants
- Revamping of existing plants in order to optimise the process and improve their efficiency and the quality.
- Assistance in starting-up
- Maintenance programme
- "Turn-key" plants and laboratory plants.

Thanks to its versatile structure T.I. Engineering is able to realize a project by subdividing it in a series of different stages, and each stage can be dealt with singly: feasibility study and basic study, process planning, engineering, mechanical and electrical assembling, work management and supervision, control and plant management software, data control, acquisition and analysis systems on any level of the company, the start-up of a system, maintenance and revamping of existing systems, certified calibration of instruments.

Main References:

Eli Lilly Italia S.p.A. – Sesto Fiorentino (FI)
Novartis Farma S.p.A. – Torre Annunziata (NA)
Novartis Vaccines and Diagnostics S.r.l. - Siena
Recordati Almu Spain S.p.A. - Murcia (Spagna)
Recordati S.p.A. – Campoverde (LT)
R.S.M. S.p.A. – Montale (PT)
S.C.M. S.r.l. – Vicchio (FI)



T.I. Engineering S.r.l.
Via Fiorentina 359 - 51100 Pistoia - Italy
Tel. +39 0573 986140 - Fax +39 0573 985560
Email: tiengineering@tiengineering.com



Im Biotechnologiepark / CCB
D-14943 Luckenwalde - Germany
Tel. +49 003371 681390 - Fax +49 03371 681391
Email: tiengineering@bio-luck.de

THE BEST PARTNER FOR YOU!